



# S4-4710

1U Server Passive Cooler

**PRODUCT SPECIFICATIONS**

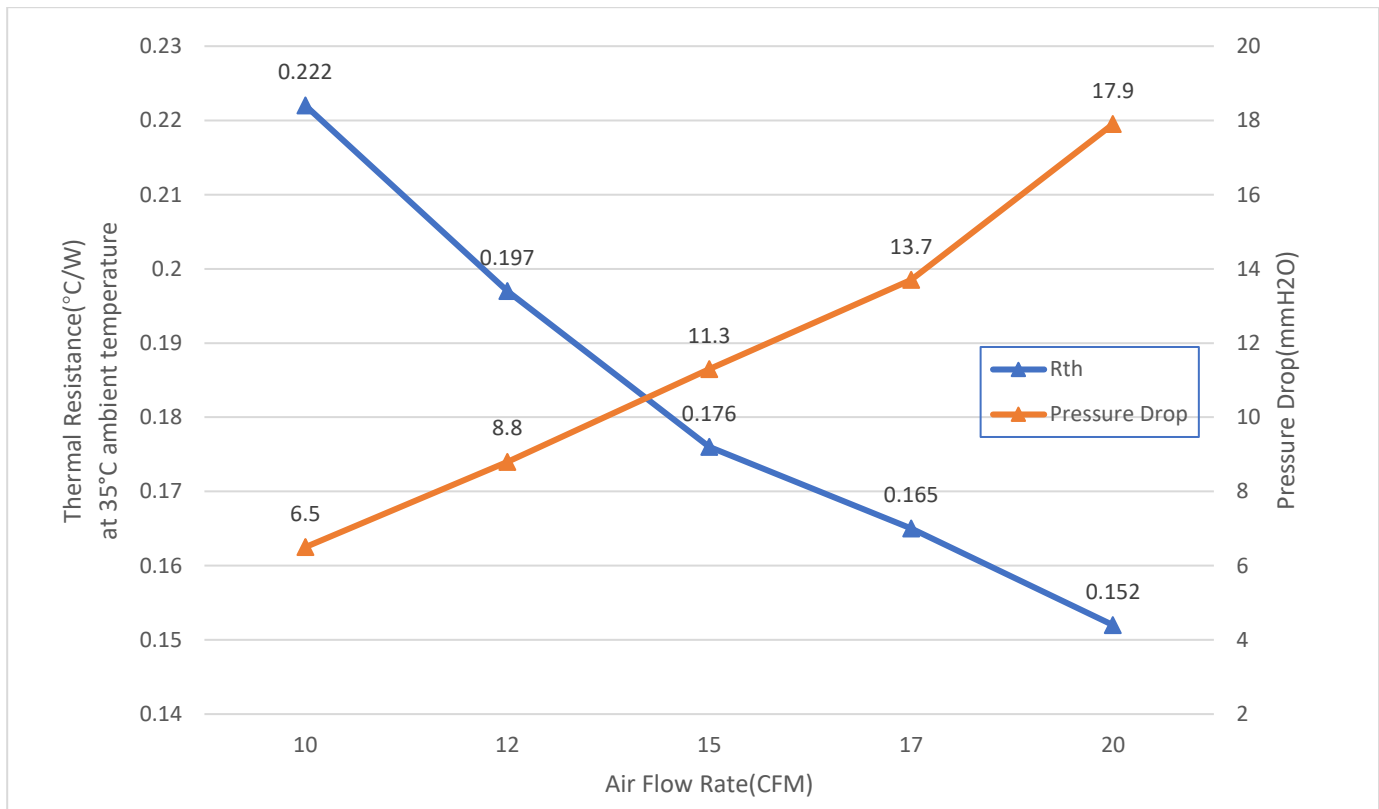
## Model Number: S4-4710

- Recommend for Intel® CPU as following
  - Intel® Granit Rapids SP, Socket FCLGA 4710
- Passive Heat Sink for 1U Server or up

## Overall Specification

Dimension	118 x 78 x 27 mm
Weight	437.6 g
Material	Copper Vapor Chamber and Fin Stack
Mounting sets	Intel Standard Anti-Tilt Heatsink Captive Mounting Sets
Package Carrier	PHM Package Carrier Included
Thermal Grease	Pre-Printed with SHIN-ETSU X23-8079-2
TDP	Support 340 Watts@40°C ambient CPU Power Heat Dissipation

## Performance Chart: S4-4710 Thermal Resistance Thermal Performance vs. Airflow



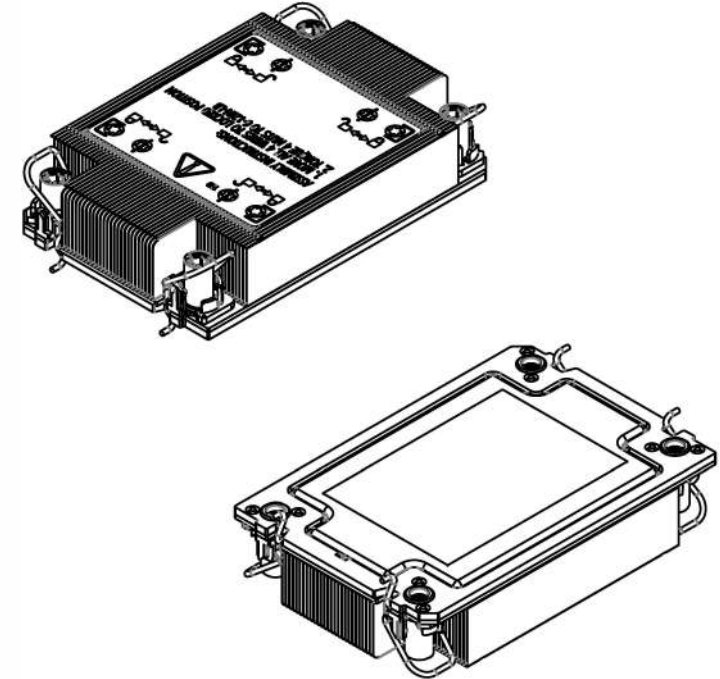
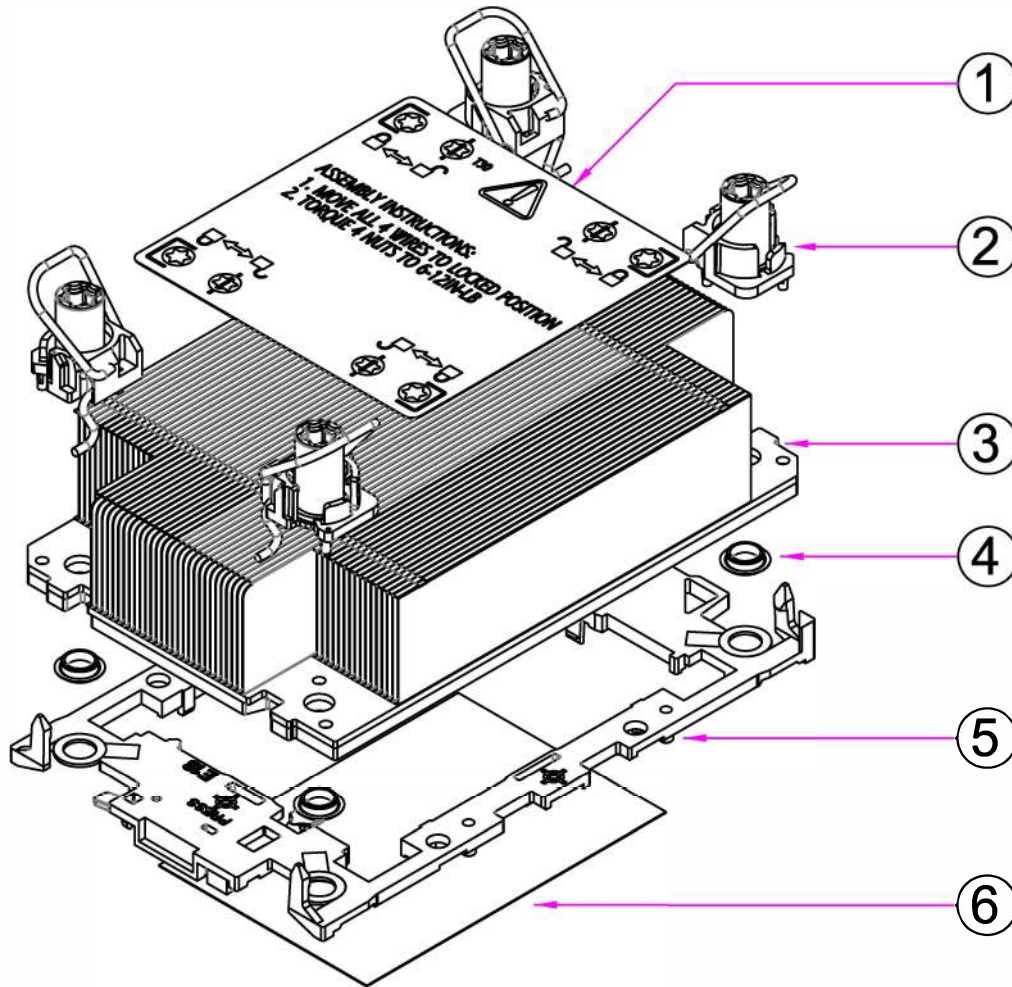
**CONFIDENTIAL DOCUMENT**

THIS DRAWING CONTAINS INFORMATION PROPRIETARY TO DYNATRON CORPORATION AND DYNAEON INDUSTRIAL CO., LTD. ANY REPRODUCTION, DISCLOSURE, OR USE OF THIS DRAWING IS EXPRESSLY PROHIBITED EXCEPT AS DYNATRON CORPORATION AND DYNAEON INDUSTRIAL CO., LTD. MAY OTHERWISE AGREE TO IN WRITING.

REV#	DESCRIPTION	CHECKER	DATE
0.0	INITIAL RELEASE	LANG	03/26/2021


**ASSEMBLY PARTS**

**WHOLE SET OF HEATSINK**



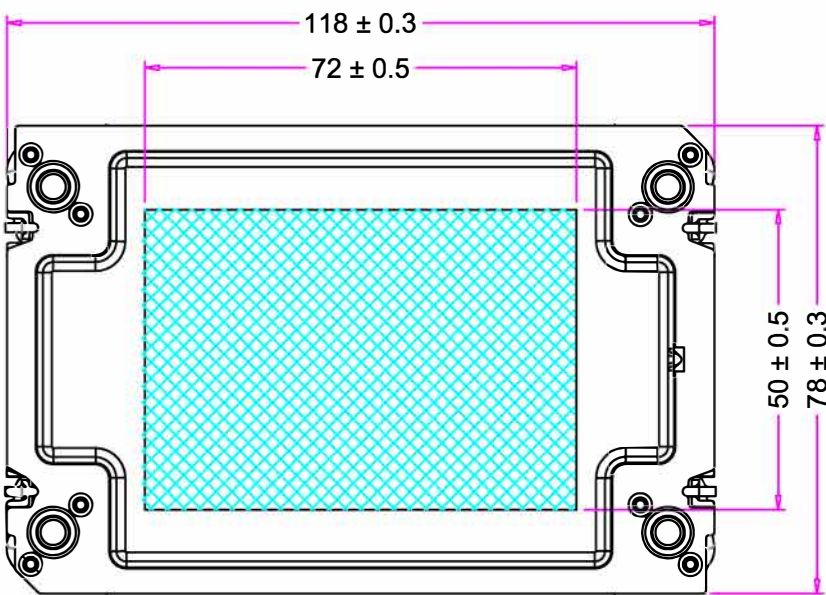
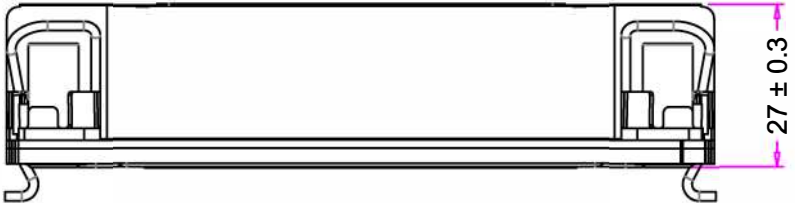
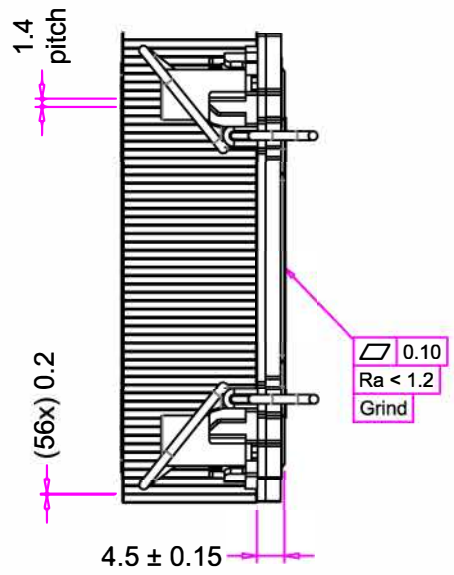
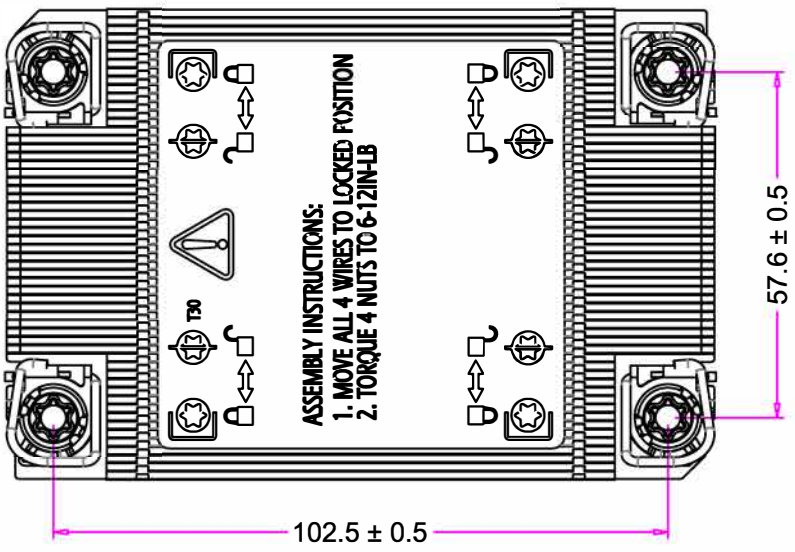
**NOTES:**

1. THE FIGURE IS FOR REFERENCE ONLY, AND NOT FOR SCALE
2. OVERALL DIMENSION : 118 x 78 x 27 mm
3. OVERALL WEIGHT : 520 g

ITEM#	DESCRIPTION	MATERIAL	QTY.
6	THERMAL GREASE, PRE-PRINTED	SHIN-ETSU 7762	1
5	INTEL PACKAGE CARRIER	PLASTIC	1
4	SPACER RING	PLASTIC	4
3	HEATSINK, with STACKED FINS	COPPER FIN STACK COPPER VAPOR CHAMBER BASE STEEL RETENTION	1
2	ANTI-TILT ROTATING WIRE ASSEMBLY SET	PLASTIC NUT AND CAPTIVATION STEEL ROTATING WIRE	4
1	MOUNTING INSTRUCTION LABEL	PLASTIC	1
DATE		NAME	 DYNATRON CORPORATION TITLE: 1U Passive Cooler Model <b>S4 4710</b> BOM & Exploded Assembly Drawing
DRAWN	03/26/2021	E ngr	
CHECKED	03/26/2021	LANG	
ENG. APPR.			
MFG. APPR.			
COMMENTS:		DWG. No:	REV
		DYN-EP-S4-4710	0.0

1 2 3 4 5 6 7

REV#	DESCRIPTION	CHECKER	DATE
0.0	INITIAL RELEASE	LANG	03/26/2021



	NAME	DATE
DRAWN BY	enr	03/26/2021
CHECKED BY	LANG	03/26/2021
ENG. APPROVED		
MFG. APPROVED	-	-



**DYNATRON CORPORATION**

TOP MOTOR

TITLE: 1U Passive Cooler Model  
**S4-4710** Overall Dimension  
 Drawing

**CONFIDENTIAL DOCUMENT**

THIS DRAWING CONTAINS INFORMATION PROPRIETARY TO DYNATRON CORPORATION AND DYNAEON INDUSTRIAL CO., LTD. ANY REPRODUCTION, DISCLOSURE, OR USE OF THIS DRAWING IS EXPRESSLY PROHIBITED EXCEPT AS DYNATRON CORPORATION AND DYNAEON INDUSTRIAL CO., LTD. MAY OTHERWISE AGREE TO IN WRITING.

VIEW	
UNITS	MM

DWG. No: **DYN-DM-S4-4710**

REV. **1.0**

1 2 3 4 5 6 7